



XR ANTENNA CIRCULAR SHAPE

XR range

The Nexmosphere XR range offers the products needed to build wireless pick-up sensors using RFID technology. The antenna driver detects a tag as soon as its close to the antenna and communicates the number of the tag back to the Xperience controller. Adhere the tags under the displayed merchandise and trigger the associated video content when the products are picked-up or placed down.

XR Antenna circular

The XR antenna is a slim, easy to built-in RFID antenna. It can be hidden behind a variety of non-metallic design materials like acrylics, wood, glass and stone. Define your detection surface area and match it with the right shape and size antenna for your product and application.



Features

- Connects to XR Antenna driver
- Wireless pick-up detection surface

Wireless pickup detection

The XR antenna connects to the XR antenna driver. Together they register the pick-ups, as well as the place-downs of RFID tagged merchandise when the product is either lifted from or placed back on an antenna. During both events, an event-specific trigger is sent from the Xperience controller to the connected media player that can be used to, for example, start a video or illuminate a string of LEDs.

- Pick-up and place-down registration
- Highly responsive
- Compatible with all Nexmosphere RFID tags
- Multi-tag detection (up to 4 RFID tags simultaneously)

Benefits

- Connects to XR Antenna driver
- Thin form factor for easy installation
- Various sizes available to match the design of your application

XR ANTENNA CIRCULAR SHAPE

Mounting specifications

- Keep away from metal objects or surfaces*
- Spacing between antennas is required*
- Detection distance is 20–40 mm depending on the overlying material and direct environment*
- Works under glass, acrylic, wood, cardboard, stone, and non-metallic materials

**(see XR installation guide for specific details)*

Thermal specifications

Operating temperature: +10°C...+40°C/ +50°F ... +104°F
Storage temperature: -20°C...+50°C/ -4°F ... +122°F

Electrical specifications

- RFID frequency: 13.56Mhz

Miscellaneous

- Mounting holes for easy fixation
- 1-year warranty (optional 3-year extended warranty available)
- Customized layouts and board shapes available on request

Packaging

Netto Weight: 25g
Items per carton 1, 10 or 50 pcs

Standards and Certifications

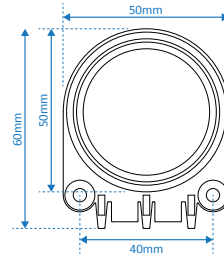


RoHS
compliant

Mechanical dimensions

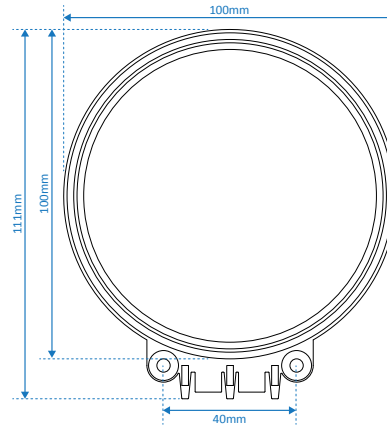
XR-C05

LxWxH: 50 x 60 mm
Screw fixation: 40 mm



XR-C10

LxWxH: 100 x 111 mm
Screw fixation: 40 mm



Ordering information

Product ID	Description	Quantity
XR-C05	RFID antenna circular 50mm	1 pc
XR-C10	RFID antenna circular 100mm	1 pc

Nexmosphere

High Tech Campus 10 (Mμ building)
5656 AE Eindhoven • The Netherlands

T +31 40 240 7070
E sales@nexmosphere.com

© 2017-2020 Nexmosphere. All rights reserved. v1.0 / 02-20
All content contained herein is subject to change without prior notice.