

XR ANTENNA DRIVER

XR range

The Nexmosphere XR range offers the products needed to build wireless pick-up sensors using RFID technology. The antenna driver detects a tag as soon as its close to the antenna and communicates the number of the tag back to the Xperience controller. Adhere the tags under the displayed merchandise and trigger the associated video content when the products are picked-up or placed down.



XR Antenna driver

The XR Antenna driver receives and processes the signals coming from the connected antenna and the RFID tag. It generates the triggers that are sent to the connected Xperience controller. It can be used in combination with any of the antenna, and -controller models.

Features

- RFID pick-up and place-down detection
- Multi-tag detection

X-talk

The XR Antenna driver can easily be connected to any of the Nexmosphere Xperience controllers using an X-talk cable. All settings of the XR antenna driver are programmable on the controller, enabling a seamless integration in your application.

- Plug and smile interface
- Compatible with any Nexmosphere Xperience controller
- Powered by and programmable with Nexmosphere Xperience controller

Wireless pickup detection

The XR antenna connects to the XR antenna driver. Together they register the pick-ups, as well as the place-downs of RFID tagged merchandise when the product is either lifted from or placed back on an antenna. During both events, an event-specific trigger is sent from the Xperience controller to the connected media player that can be used to, for example, start a video or illuminate a string of LEDs.

- Pick-up and place-down registration
- Highly responsive
- Compatible with all Nexmosphere RFID tags
- Multi-tag detection (up to 4 RFID tags simultaneously)

RFID tags

The standard tags for use with this product range, are industry standard MiFare 1K tags that can be ordered already programmed with their respective numbers, or as empty tags that still require programming and labeling.

- 26mm diameter
- 13.56 Mhz
- Mifare Classic 1K
- IC: S50

Benefits

- Compatible with all different sizes XR-antennas
- Auto-calibration and auto-start for highly reliable applications (24/7)
- Status LED indicating tag detection

XR ANTENNA DRIVER

Mounting specifications

Install the Antenna driver outside the antenna field of the connected XR antenna.

Thermal specifications

Operating temperature: +10°C...+40°C/ +50°F ... +104°F

Storage temperature: -20°C...+50°C/ -4°F ... +122°F

Electrical specifications

- Operating voltage: 5V DC (via X-talk interface)
- Power consumption: 200mA
- RFID frequency: 13.56Mhz

Miscellaneous

- Mounting holes for easy fixation
- 1-year warranty (optional 3-year extended warranty available)

Packaging

Netto Weight: 25g

Items per carton 1, 10 or 50 pcs

Standards and Certifications

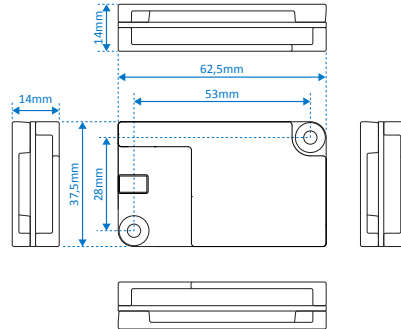


RoHS
compliant

Mechanical dimensions

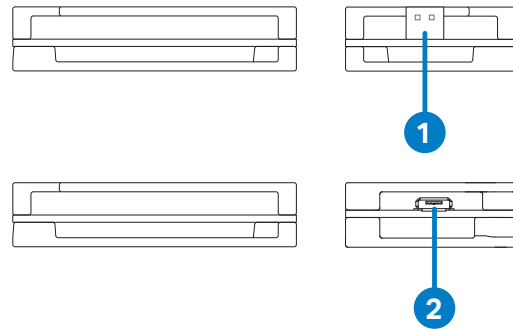
LxWxH: 62,5 x 37,5 x 14 mm

Screw fixation: 53 x 28 mm



Hardware interfaces

1. XR-antenna connector
2. X-talk connector (compatible with CAX-M cables)



Ordering information

Product ID **Description**

XR-DR1 XR antenna driver

Quantity

1 pc

Nexmosphere

High Tech Campus 10 (Mμ building)
5656 AE Eindhoven • The Netherlands

T +31 40 240 7070
E sales@nexmosphere.com

© 2017-2020 Nexmosphere. All rights reserved. v2.0 / 02-20
All content contained herein is subject to change without prior notice.