

COLOR SENSOR

XZ range

The Nexmosphere XZ range offers a variety of sensors that detect a certain status of objects they are in contact with. By detecting the object status, we enable the possibility to log and communicate these values, as well as actively respond to critical threshold values.

Color sensor

The XZ-Color sensor can detect the color of objects that are held against or placed upon the sensor. Any color can be detected and communicated back to any Xperience controller.



Features

- Color measurement (Hue, Saturation, Lightness)
- Auto object placement detection
- Calibration controls

X-talk

The XZ Color sensor can easily be connected to any of the Nexmosphere Xperience controllers using the X-talk interface. All settings of the XZ sensor are programmable on the controller, enabling a seamless integration in your application.

- Plug and smile interface
- Compatible with any Nexmosphere Xperience controller
- Powered by and configurable with Nexmosphere Xperience controller

Color measurement

By placing a product against the sensor, the Hue, Saturation and Lightness of the object can be measured. The XC Color sensor is designed for applications in which objects with different colors need to be detected and distinguished from each other.

- Accurate color measurement
- Auto object detection
- Calibration controls
- Adjustable settings to control sensor behavior

The sensor is not designed for applications in which highly accurate color measurements are required (e.g. mixing paint colors).

Benefits

- Small form factor facilitates sleek integration into your Digital Signage design
- Auto-calibration and auto-start for highly reliable applications (24/7)
- Status LED indicating trigger detection



XZ-LIGHT SENSOR

Mounting specifications

- Mount the sensor behind a front-panel with cut-out (see panel cut out section for more info)

Thermal specifications

Operating temperature: +10°C...+40°C/ +50°F ... +104°F
Storage temperature: -20°C...+50°C/ -4°F ... +122°F

Electrical specifications

- Operating voltage: 5V DC (via X-talk interface)
- Power consumption: 50mA

Miscellaneous

- Custom cable lengths available on request
- 1 year warranty (optional 3 year extended warranty available)

Packaging

Items per carton 1, 10 or 50 pcs

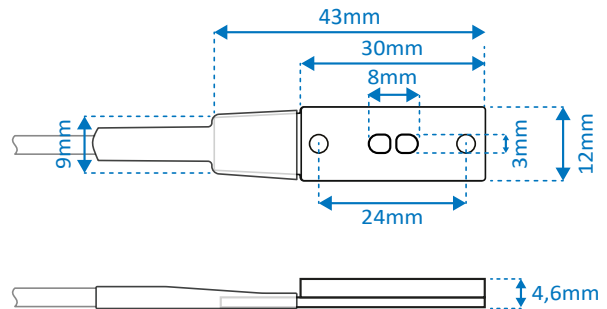
Standards and Certifications



Mechanical dimensions

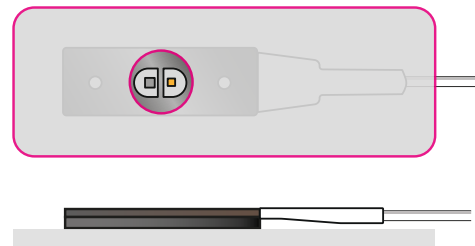
LxWxH: 43 x 12 x 4,6 mm

Screw holes: 3mm diameter



Front panel cut-out

Ø10mm cut-out, 3-5mm panel thickness



Ordering information

Product ID **Description**

XZ-H60 XZ Color sensor, 180cm cable, white

Netto weight

24g

Quantity

1 pc

Nexmosphere

Le Havre 136

5627 SW Eindhoven • The Netherlands

T +31 40 240 7070

E support@nexmosphere.com

© 2021 Nexmosphere. All rights reserved. v1.0 / 07-21

All content contained herein is subject to change without prior notice.