

XY-251 - PRESENCE & AIRBUTTON

XY range

The Nexmosphere XY range offers a variety of sensors for detecting and analyzing the presence, distance, and demographics of the people in front of your interactive display or signage installation. Whether you want to increase the impact by triggering the right content at the right time, want to program attractive lighting changes and increase engagement or want to collect valuable data, the XY range has a sensor which provides the input to do so.



XY-251

The XY-251 Presence & Airbutton sensor is an IR Time-of-Flight sensor which can detect if an object or person is present, and if so, indicate the distance to the person. This enables implementation of multiple trigger zones, such as head-turning lighting effects on connected LED lighting when a person is far away and the appearance of call-to-action video content when they approach. Next to this, the sensor has a dedicated Airbutton zone for detecting touchless input of the user, simply by placing a hand in front of the sensor. The sleek aluminum casing design offers an easy add-on installation to almost any display.

Features

- Time-of-Flight presence sensor with distance measurement
- Adjustable 27° Field-of-View
- Up to 250cm detection distance
- Dedicated Airbutton zone for touchless user input

X-talk

The X-Eye Presence & Airbutton sensor can easily be connected to any of the Nexmosphere Xperience controllers using the X-talk interface. All settings of the XY sensor are programmable on the controller, enabling a seamless integration in your application.

- Plug and smile interface
- Compatible with any Nexmosphere Xperience controller
- Powered by and programmable with Nexmosphere Xperience controller

Presence & Airbutton detection

Presence & Airbutton sensors can be highly valuable to trigger your experience to start at just the right moment. Make a presentation come alive when the shopper approaches the display and activate interactive content as soon as the shopper provides touchless user input by placing their hand in front of the sensor.

- 10 distance zones available, 25cm each (total 0-250cm)
- Dedicated Airbutton zone for touchless user input
- Adjustable settings and Field-of-View
- Optional mode with 1cm accurate distance measurement

Benefits

- Easy add-on installation to a display, wall or panel
- Sleek and finished casing design to complement the look and feel of almost any display
- Cable exit on the back simplifies cable management
- Auto-calibration and auto-start for highly reliable applications (24/7)
- Status LED indicating trigger detection



XY-251 - PRESENCE & AIRBUTTON

Mounting specifications

- Mount in such a way that the sensor has a clear view.
- Position the sensor in such a way that it is not directed perpendicular towards a window.

Mechanical dimensions

LxWxH: 35 x 11,5 x 21 mm
Fixation: Double-sided tape (for mounting onto display)
Mounting bracket (for mounting on wall or panel)

Field-of-View

Range: 0-170cm
Angle: 15-27°

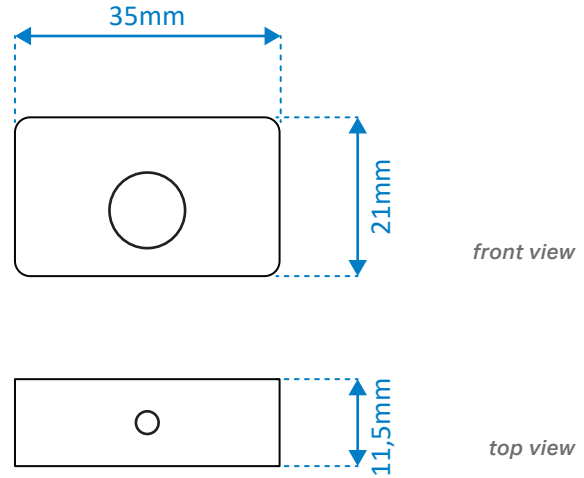
Thermal specifications

Operating temperature: +10°C...+40°C/ +50°F ... +104°F
Storage temperature: -20°C...+50°C/ -4°F ... +122°F

Electrical specifications

Operating voltage: 5V DC (via X-talk interface)
Power consumption: 50mA

IR Emitter: 940nm invisible laser
Laser classification: Class 1



Miscellaneous

- Custom cable lengths available on request
- 2 year warranty (optional 3 year extended warranty available)

Packaging

Items per carton 1, 10 or 50 pcs

Standards and Certifications



UL certification pending

Ordering information

Product ID	Description	Netto weight	Quantity
XY-251G	X-Eye Presence & Airbutton, 1,7m range, Grey casing, 60cm cable	21g	1 pc
XY-251B	X-Eye Presence & Airbutton, 1,7m range, Black casing, 60cm cable	21g	1 pc

Nexmosphere

Le Havre 136
5627 SW Eindhoven • The Netherlands

T +31 40 240 7070
E support@nexmosphere.com

© 2024 Nexmosphere. All rights reserved. v1.0 / 03-24
All content contained herein is subject to change without prior notice.