

XDW-E60 ENCODER INTERFACE

XD Range

The Nexmosphere X-Dot range offers a variety of functions divided into two subdivisions: easy interfacing and wired pick-up sensors. They share their ultra-small form factor and the cable design that offers the flexibility of both bottom and side feed installation. Giving the option to use the Elements directly on a surface or to hide the cable from sight. They're easy to install, use and maintain due to the non-marking double-sided installation tape and high-quality finishing.



XDW-E60

The X-Dot Encoder interface connects any market-available encoder to your interactive installation to facilitate smooth and tactile control of media content via endless rotating and pressing. Optional accessories such as ready-to-use encoders with high-quality aluminum buttons are available to make your setup complete.

Features

- Tracking clockwise and counterclockwise rotations
- Increment count to support fast rotation
- Auto-detect single-click, double-click and long-press

X-talk

The XDW-E60 encoder interface connects to any of the Nexmosphere Xperience controllers using an X-talk cable. The settings of the XDW-E60 are programmable via the controller, enabling seamless integration in each application.

- Plug and smile interface
- Compatible with any Nexmosphere Xperience controller
- Powered by and configurable with Nexmosphere Xperience controllers.

Rotation tracking

The XDW-E60 detects if the rotary encoder is rotated clockwise or counterclockwise and when so immediately triggers an API command indicating the rotation. It will also track and indicate how many steps the button is rotated, supporting fast rotations as well. This feature enables intuitive and tactile user interfacing for applications such as volume control or browsing through timeline content.

Auto-detect of click type

For rotary encoders that can also act as a push button, the XDW-E60 has build-in auto-detection of how the push button is pressed:

- single-click
- double-click
- long-press

This feature provides additional UI options when browsing through menus, for example to open a selected item or go back to a previous page.

Benefits

- Compatible with any market-available rotary encoder
- Unique cable connection (bottom-feed or side-feed) enables invisible cable installation
- Securely mounts on any flat surface, horizontal, vertical or angled
- Easy removable non-marking double-sided tape
- Status LED for visual feedback

XDW-E60 ENCODER INTERFACE

Thermal specifications

Operating temperature: +10°C...+40°C/ +50°F ... +104°F
Storage temperature: -20°C...+50°C/ -4°F ... +122°F

Electrical specifications

Operating voltage: 5VDC (via X-talk interface)
Power consumption: 50mA
Max output current: 150mA
Output voltage: 5.0V

Miscellaneous

- 2-year warranty (optional 3-year extended warranty available)

Packaging

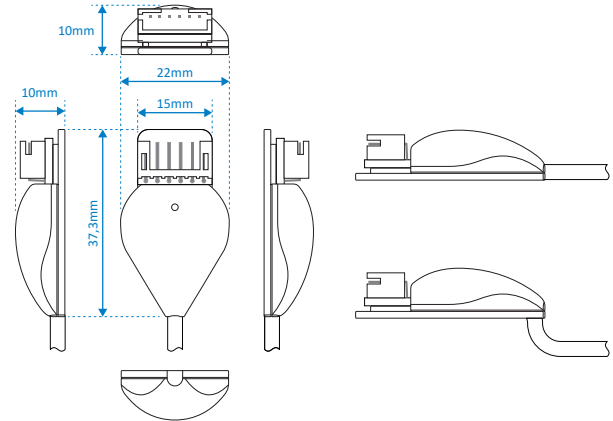
Items per carton 1, 10 or 50 pcs

Standards and Certifications



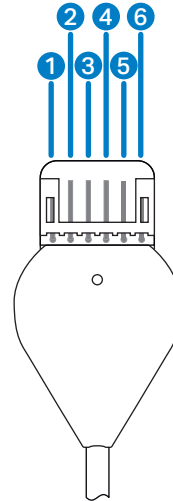
Mechanical dimensions

LxWxH: 37,3 x 22 x 10 mm
Fixation: Double-sided adhesive tape



Hardware interfaces

- 6-pin JST-PHR-6 connector



Pinout

1. button switch input
2. ground/common (for button switch)
3. B channel
4. ground/common (for rotary encoder)
5. A channel
6. +5V supply

Ordering information

Product ID **Description**
XDW-E60 X-Dot Encoder interface, 5V, 180cm cable

Netto weight **Quantity**
27g 1 pc

Nexmosphere

Le Havre 136
5627 SW Eindhoven • The Netherlands

T +31 40 240 7070
E support@nexmosphere.com

© 2017-2024 Nexmosphere. All rights reserved. v1.1 / 04-24
All content contained herein is subject to change without prior notice.